

## Electron Capture Detector (ECD) Manifold Assembly

Description	HP Part No.	Qty
1. EPC Control Valve* (Order No. G1531-60610)	G1531-60541	2
NS Non-EPC On/Off Valve	G1531-60530	2
2. O-Rings HP M8 (Order No. 5180-4181, 12/pkg)	0905-1039	10
3. Screw, M4 x 12 mm, Torx, T20	0515-2496	1
4. EPC ECD Manifold Assembly	G1533-60520	1
5. Non-EPC ECD Manifold Assembly	G1533-60500	1
6. Screw, M3 x 25 mm, Torx, T10	0515-0683	6
7. Screw, M3 x .5 x 8 mm, Torx, T10	0515-0655	2
8. ECD Make-up Gas Assembly (Manual ECD)	G1533-60600	1
8A. Pressure Regulator, 0-100 psi (Manual ECD)	G1531-60630	1
8B. ECD Manifold Regulator Brazement (Manual ECD)	G1533-80530	1
NS Chemical Traps (Manual ECD)	G1533-80540	2
* Order valve replacement kit, HP part no. G1531-60610, qty. 1 valve each		

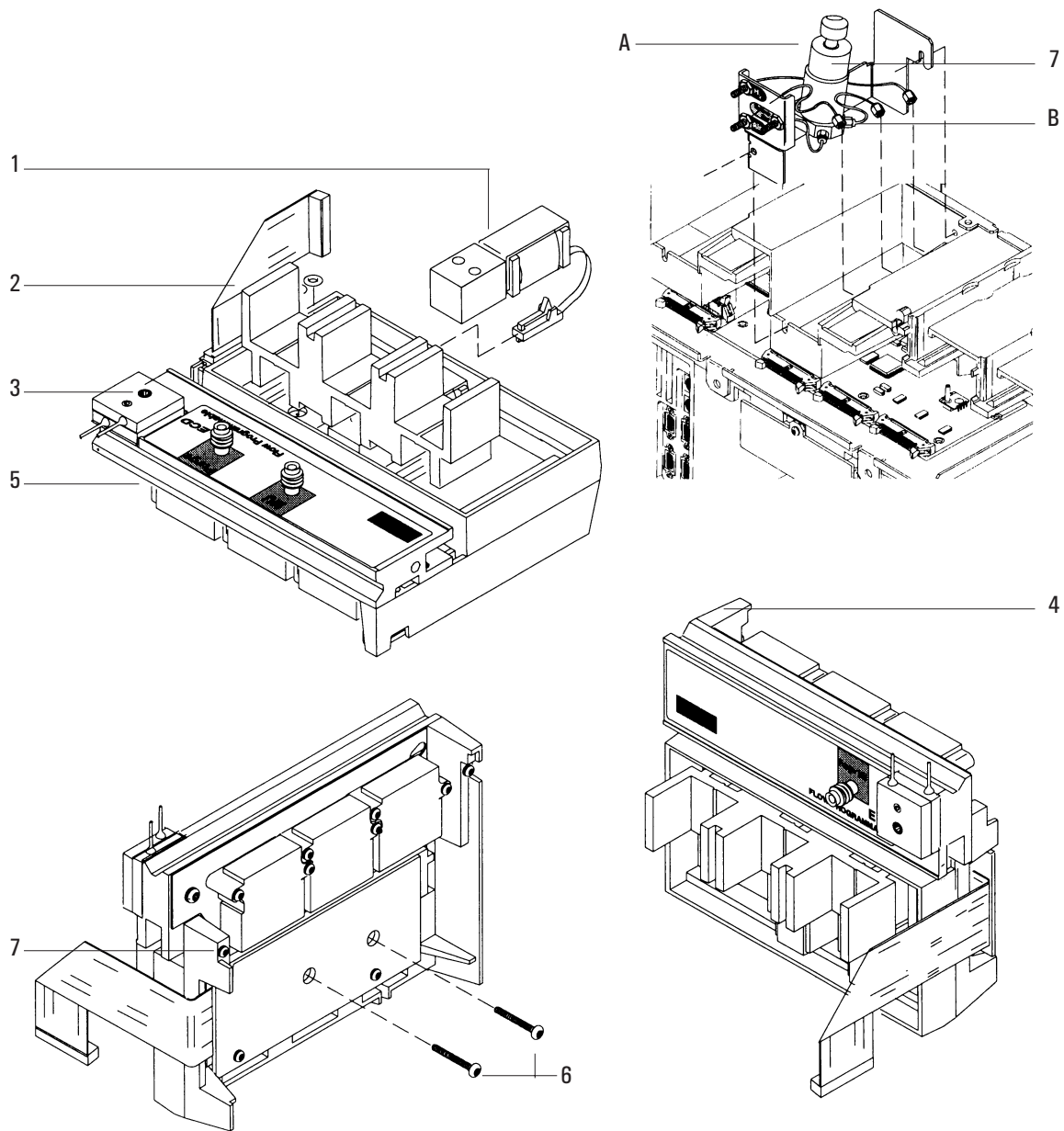


Figure 1320-2 Electron Capture Detector (ECD) Manifold Assembly